
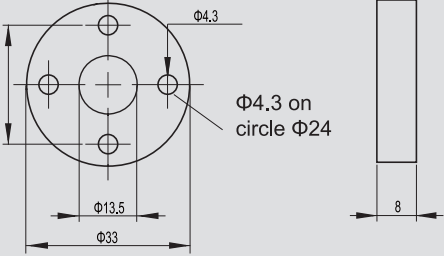
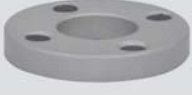
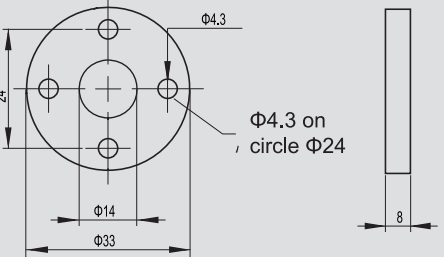

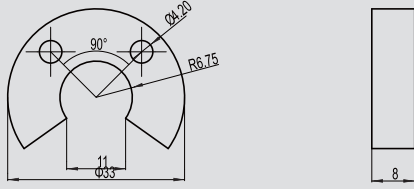

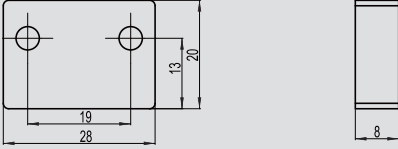

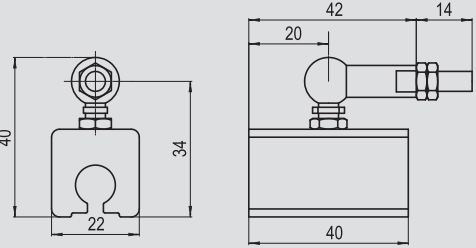



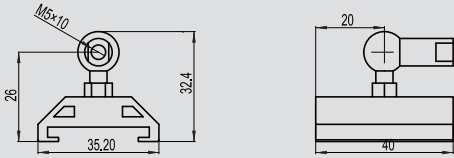

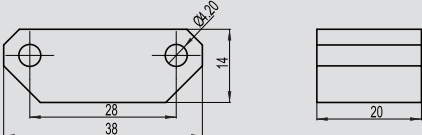

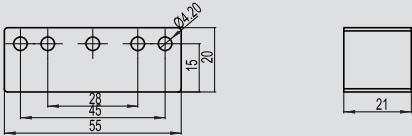

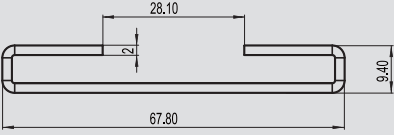
# Magnetostrictive Linear Position Sensor

## Accessories

Product	Dimension	Application
<p>Ring magnet L5-0000-ACRI-0001</p> 		<p>Design for: L5-A Serie            Operating temperature: -40 °C ~ +85 °C            Mounting Screws: M4×18            Fastening torque: Max 1N·m</p>
<p>Spacer L5-0000-ACMT-0001</p> 		<p>Design for: L5-A Serie            Operating temperature: -40 °C ~ +85 °C            Mounting Screws: M4×18            Fastening torque: Max 1N·m</p>
<p>C magnet L5-0000-ACRI-0005</p> 		<p>Design for: L5-A Serie            Operating temperature: -40 °C ~ +85 °C            Mounting Screws: M4×18            Vertical clearance: 3±1</p>
<p>Square floating magnet L5-0000-ACMB-0001</p> 		<p>Design for: L5-B Serie            Operating temperature: -40 °C ~ +85 °C            Mounting Screws: M4×18            Horizontal deviation: ±3mm            Vertical clearance: 2~4mm</p>
<p>Round rail slide magnet L5-0000-ACMB-0003</p> 		<p>Design for: L5-B Serie            Operating temperature: -40 °C ~ +85 °C            Mounting Screws: M5</p>


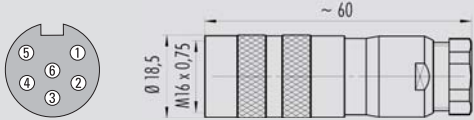

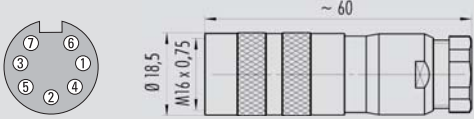

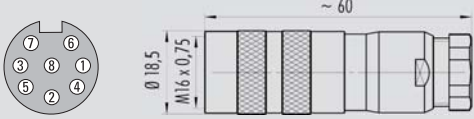

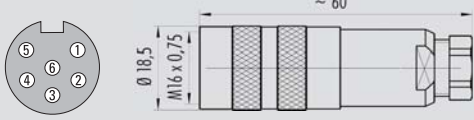

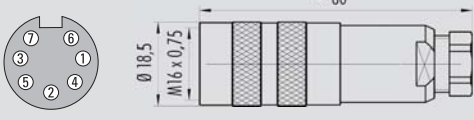
# Magnetostrictive Linear Position Sensor

## Accessories

Product	Dimension	Application
<p>Flat rail sliding block magnet L5-0000-ACMB-0004</p> 		<p>Design for: L5-HSerie            Operating temperature: -40 °C ~ +85 °C            Mounting Screws: M5</p>
<p>Trapezoid Floating Magnets L5-0000-ACMB-0005</p> 		<p>Design for: L5-H/MSerie            Operating temperature: -40 °C ~ +85 °C            Mounting Screws: M4            Horizontal deviation: ±3mm            Vertical clearance: 2~4mm</p>
<p>Rectangle Floating Magnets L5-0000-ACMB-0006</p> 		<p>Design for: L5-H/M Serie            Operating temperature: -40 °C ~ +85 °C            Mounting Screws: M4            Horizontal deviation: ±15mm            Vertical clearance: 5~12mm</p>
<p>Clamps L5-0000-ACMT-0002</p> 		<p>Design for: L5-B/H/MSerie            Mounting Screws: M5x20</p>


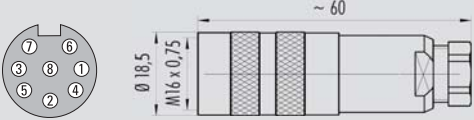

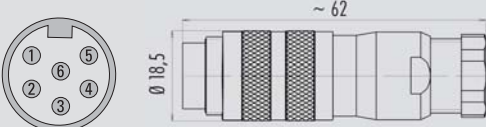

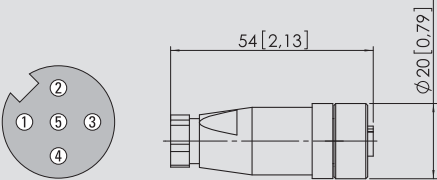

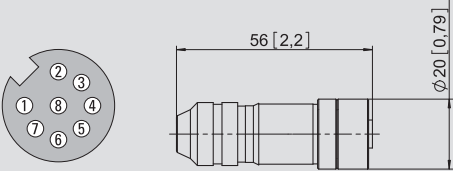

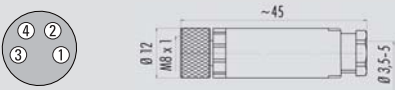
# Magnetostrictive Linear Position Sensor

## Accessories

Product	Dimension	Application
<p>E1-2206-0100</p> 		<p>M16, 6pins Female            Housing: Zinc nickel-plated            Termination: Solder            Locknut:PG9            Max. Cable: Ø 8 mm</p>
<p>E1-2207-0100</p> 		<p>M16, 7pins Female            Housing: Zinc nickel-plated            Termination: Solder            Locknut:PG9            Max. Cable:Ø 8 mm</p>
<p>E1-2208-0100</p> 		<p>M16, 8pins Female            Housing: Zinc nickel-plated            Termination: Solder            Locknut:PG9            Max. Cable:Ø 8 mm</p>
<p>E1-2206-0101</p> 		<p>M16, 6pins Female            Housing: Zinc nickel-plated            Termination: Solder            Locknut:PG7            Max. Cable: Ø 6 mm</p>
<p>E1-2207-0101</p> 		<p>M16, 7pins Female            Housing: Zinc nickel-plated            Termination: Solder            Locknut:PG7            Max. Cable:Ø 6 mm</p>


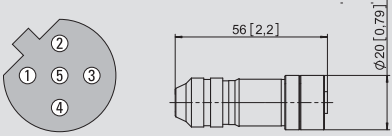

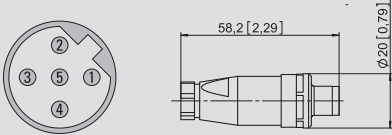

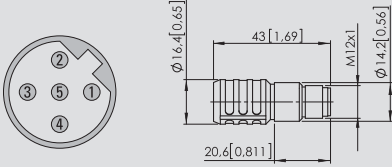

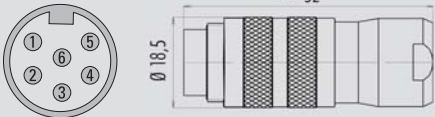
# Magnetostrictive Linear Position Sensor

## Accessories

Product	Dimension	Application
<p>E1-2208-0101</p> 		<p>M16, 8pins Female  Housing: Zinc nickel-plated  Termination: Solder  Locknut: PG7  Max. Cable: Ø 6 mm</p>
<p>E1-2106-0110</p> 		<p>M16, 6pins Female  Housing: Zinc nickel-plated  Termination: Solder  Locknut: PG9  Max. Cable: Ø 8 mm</p>
<p>E1-1205-0001</p> 		<p>M12, Code A, 5pins Female  Housing: Plastic  Termination: Screwnut  Locknut: PG9  Max. Cable: Ø 8 mm</p>
<p>E1-1208-0101</p> 		<p>M12, Code A, 8pins Female  Housing: Metal  Termination: Screwnut  Locknut: PG9  Max. Cable: Ø 8 mm</p>
<p>E1-6204-0010</p> 		<p>M8, 4pins Female  Housing: Plastic  Termination: Screwnut  Locknut: PG7  Max. Cable: Ø 5mm</p>

# Magnetostrictive Linear Position Sensor

## Accessories

Product	Dimension	Application
<p>E1-1205-0102</p> 		<p>M12, Code B, 5pins Female                      Housing: Metal                      Termination: Screwnut                      Locknut: PG9                      Max. Cable: Ø 8 mm</p>
<p>E1-1105-0112</p> 		<p>M12, Code A, 5pins Male                      Housing: Metal                      Termination: Screwnut                      Locknut: PG9                      Max. Cable: Ø 8 mm</p>
<p>E1-PDP0-TR00</p> 		<p>M12 Profibus-DPTerminal resistance                      M12, Code B, 5 pins Male                      Housing: Metal</p>
<p>E1-PDP0-TR01</p> 		<p>M16 Profibus-DPTerminal resistance                      M16,6 pins Male                      Housing: Zinc nickel plated</p>